

MODEL

T300 Short



SLURRY KNIFE GATE VALVE

The model 300 short is a bidirectional slurry knife gate valve equipped with two abrasion resistant rubber sleeves protecting the body. Additionally the design allows internal cleaning/maintenance through flushing ports located in the bottom cover.

Ideal for pulps/slurries with high amount of solids and abrasiveness.

Application fields such as:

- Mining
- Bulk handling
- Powerplants

Sizes: DN 50 to DN 600 (Bigger sizes on request)

Working pressure: DN 50 to DN 250: 10 bar
 DN 300 to DN 450: 6 bar
 DN 500 to DN 600: 4 bar
 (Higher pressures on request)

Standard flange connection: EN1092 PN 10/16 (others on request)
 ANSI B16.5 (others on request)

Directives:

- 2006/42/EC (machines)
- 2014/68/EU (PED). Fluid: Group 2 (Cat. I, mod. A)
- 2014/34/EU (ATEX) (contact sales department)

* RAL 5015 blue coating on carbon steel components.
 (Specific RALs under demand)

* Higher pressure conditions, please check with the manufacturer.

* All valves are tested according to UNE-EN 12266-1.

DESIGN FEATURES

Main features:

- Short FTF dimensions as per manufacturer standard.
- Fluid tight in two directions.
- Easy maintenance sleeve configuration.

Body:

- Two pieces splitted body design in different materials A216WCB, CF8M, CF8, 654SMO, SAF2505, SAF2507, UB6 / 904L....

Gate

- Stainless steel both sides polished gate for high abrasiveness.

Sleeve:

- Many different sleeve qualities available: Natural rubber, EPDM, NBR, Viton.

Packing:

- High quality braided Synt+PTFE packing, other qualities such pure PTFE or Graphite under specific demand.

Stem protection bellow (optional):

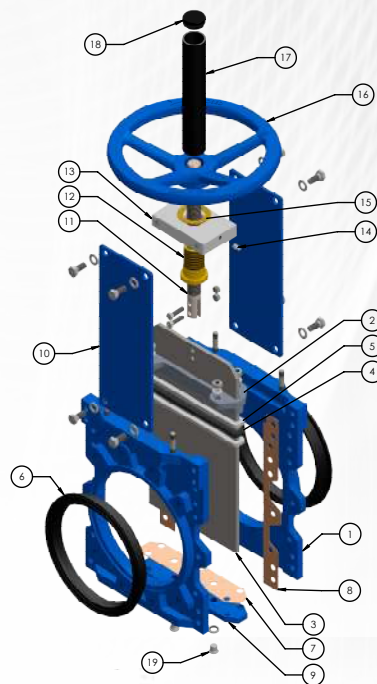
- Recommended in dusty environments. High quality rubber bellow protects the stem and lenghts actuators useful life.

·The valve is manufactured with different actuators such as: Manual (handwheel, gear box, chainwheel), double acting pneumatic, electric, hydraulic.

·Accessories: limit & inductive switches, solenoid valves, positioners and stem extensions.

STANDARD PARTS LIST

Other materials under request depending on service conditions



Item	Part	Standard material	Stainless steel
1	Body	GJL250 (GG25), RAL 5015 coated	CF8M (AISI316)
2	Packing gland	Aluminium / Ductile iron GGG	CF8M (AISI316)
3	Gate	AISI304L (1.4307)	AISI316L (1.4404)
4	O'ring	EPDM	EPDM
5	Packing	Synt+PTFE	Synt+PTFE
6	Sleeve	EPDM	EPDM
7	Bottom cover gasket	BA-50	BA-50
8	Body gasket	BA-50	BA-50
9	Bottom cover	Steel, RAL 5015 coated	AISI316L (1.4404)
10	Support plates	Steel, RAL 5015 coated	Steel, RAL 5015 coated
11	Spindle	AISI304 (1.4301)	AISI304 (1.4301)
12	Manouvering nut	Brass	Brass
13	Support bridge	Steel, RAL 5015 coated	Steel, RAL 5015 coated
14	Oiling greaser	Standard	Standard
15	Washer	Brass	Brass
16	Handwheel	GJL250 (GG25), RAL 5015 coated	GJL250 (GG25), RAL 5015 coated
17	Stem protection tube	Steel, cataphoresis RAL 9005	Steel, cataphoresis RAL 9005
18	Stem protection cover	Plastic	Plastic
19	Flushing plug	A2	A2
	Bolting	A2	A2

RVO - 02/2021

Zubi Reserves the right to change specifications without notice.

C/Hilanderas, 5 - Bajo | IRÚN | Guipúzcoa [Spain] · Tel: (+34) 943 63 52 71 · E-mail: zubi@valvulaszubi.com